

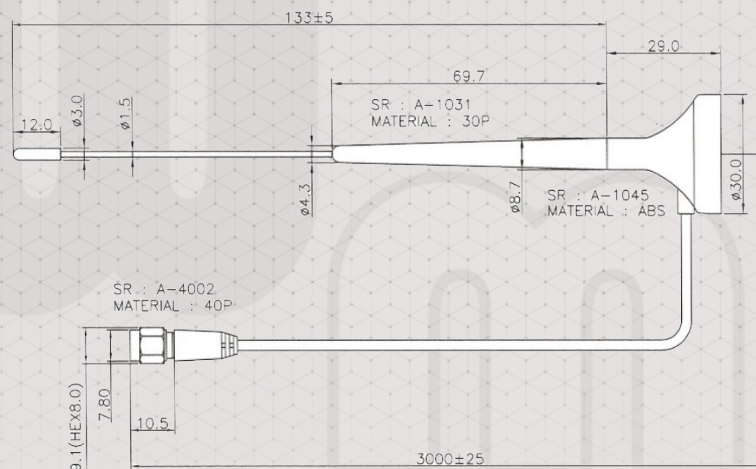
MAGNETIC MOUNT CDMA450 ANTENNA



Magnetic mount CDMA 450 MHz antenna with SMA connector and 3m long antenna cable

TECHNICAL FEATURES

- Technology: CDMA 450
- Frequencies: 410-470 MHz
- Impedancy: 50 Ohm
- Gain: 0 dBi
- VSWR: <2.0: 1
- Polarization: Linear
- Direction: Omni-directional
- Radiation: H 360°, V 30°
- Output power: 10W
- Mountable: magnetic base
- Cable: RG174/U type, 3 meters long
- Connector type: SMA (m)
- Dimensions: 170 x 30 mm
- Weight: 51 gr
- Temperature range: from -40 to +85 °C



The presented images on the datasheet are for illustration purposes only. The details on the data sheet are for general information purposes only. WM Systems LLC cannot be held liable for erroneous information on the datasheet. The announced information are subject to change without notice. For more details, please contact us.

WM Systems LLC

8 Villa str., Budapest, H-1222 HUNGARY

Phone: +36 (1) 310 7075

Support: +36 (20) 333 1111

Our website: www.wmsystems.hu

Sales inquiry: intersales@wmsystems.hu

Support: support@wmsystems.hu