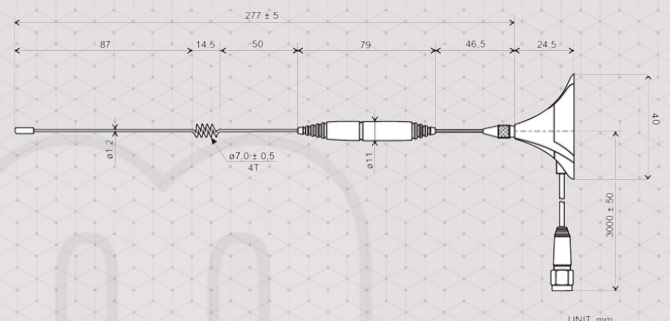
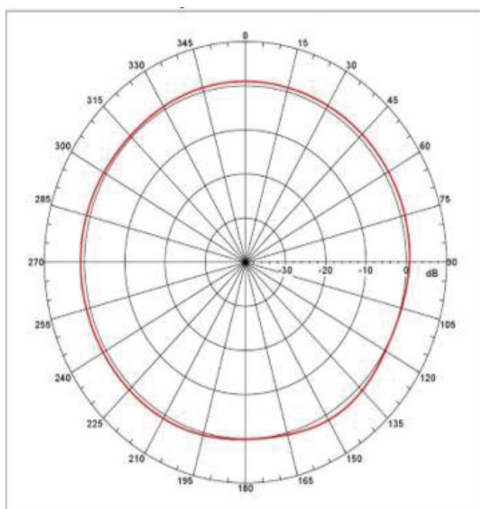


MAGNETIC MOUNT **wm** 2G-3G ANTENNA SYSTEMS

2G/3G antenna with SMA connector, 3m long antenna cable and 5dBi gain

TECHNICAL FEATURES

- Technology: GSM / UMTS
- Frequency: 800/900/1800/1900/2100 MHz
- Impedance: 50 Ohms
- Polarization: Linear
- Gain: 5dBi
- VSWR: <1.8:1
- Beam angle: H-360°, V-30°
- Power: max. 10 W
- Attachment: Magnetic mount
- Mount: SMA-M
- Wire: RG174 type 3m antenna cable
- Dimensions: Base \varnothing 40 mm x Rod 300 mm
- Weight: 57 gr
- Operating temperature: -30°C to +90°C



The presented images on the datasheet are for illustration purposes only. The details on the data sheet are for general information purposes only. WM Systems LLC cannot be held liable for erroneous information on the datasheet. The announced information are subject to change without notice. For more details, please contact us.

WM Systems LLC

8 Villa str., Budapest, H-1222 HUNGARY

Phone: +36 (1) 310 7075

Support: +36 (20) 333 1111

Our website: www.wmsystems.hu

Sales inquiry: intersales@wmsystems.hu

Support: support@wmsystems.hu